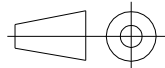
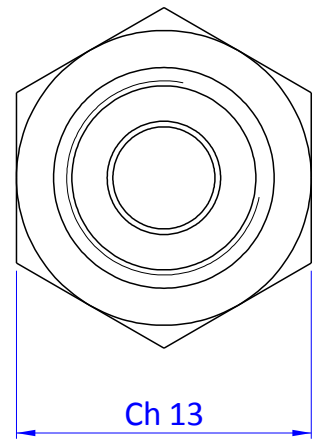
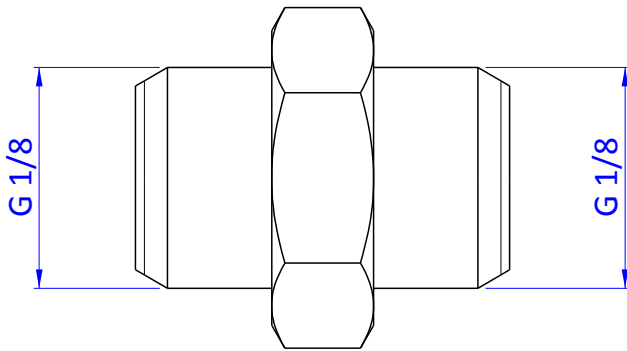
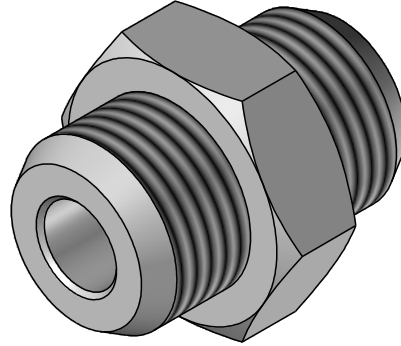


THE PROPERTY OF THE DRAWING IS ESTABLISHED BY LAW  
IT IS FORBIDDEN TO PRODUCE OR SHOW IT TO THIRD PARTY  
WITHOUT A WRITTEN AGREEMENT.

MODIFICATIONS	VARIED DIMENSIONS AS OF DATE:
7	10
8	11
9	12

MODIFICATIONS	VARIED DIMENSIONS AS OF DATE:
1	23-5-2016
2	30-5-2016
3	
4	
5	
6	



DESIGNED FROM		FPSERVICES	
DATE	10/09/2016	WEIGHT	0,009kg
CODE	CA.08.14.005		

Format	A4
GENERAL TOLERANCE	UNI - ISO 2768
CLASSE	f
	UNI 936-76

DESCRIPTION	
-------------	--